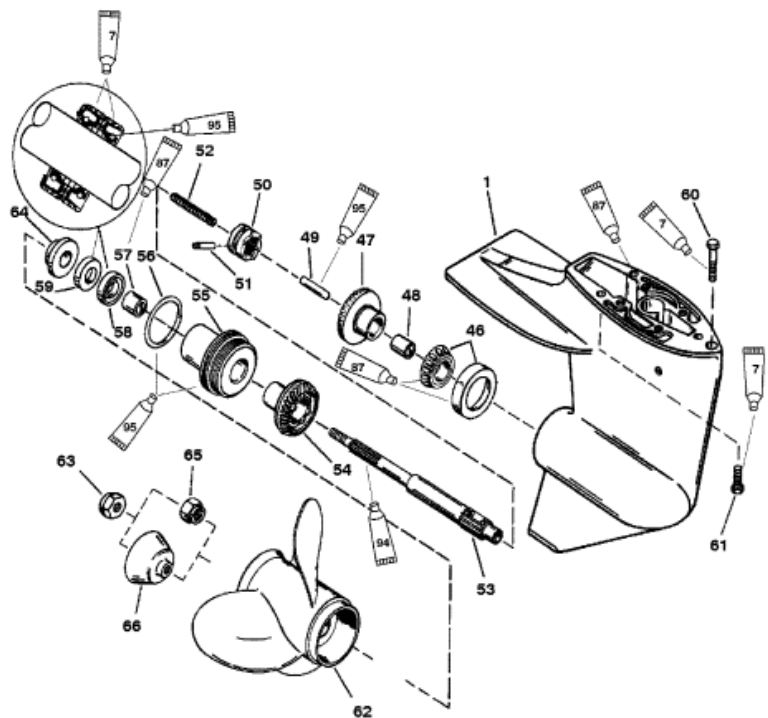






2.60 IN./102MM  
 TORPEDO DIA.



-  Loctite 271 (92-809820)
-  Super Duty Gear Lubricant (92-13783A24)
-  Anti-Corrosion Grease (92-78376A6)
-  2-4-C With Teflon (92-825407A12)

Parts List						
Ref	Class	Part	Description	Qty	Comment	Footnote
-	1666	8833A25	GEAR HOUSING-COMLETE	1	(SHORT) BLACK GRAY	
-	1666	8833A27	GEAR HOUSING-COMLETE	1	(LONG) BLACK GRAY	
-	1666	8833A26	GEAR HOUSING-COMLETE	1	(SHORT) BLACK GRAY	
-	1666	8833A28	GEAR HOUSING-COMLETE	1	(LONG) BLACK GRAY	
1	1666	8833A17	GEAR HOUSING	1	(BLACK)	
1	1666	8833A18	GEAR HOUSING	1	(GRAY)	
46	31	821321A	1 ROLLER BEARING	1		
47	43	821924A	1 FORWARD GEAR (26 TEETH)	1		
48	23	41367	BUSHING	1		
49		813139	CAM FOLLOWER	1		
50	52	821930A	1 CLUTCH ASSEMBLY	1		
51	17	823951	CROSS PIN	1		
52	24	42204	SPRING	1		
53	44	821929	PROPELLER SHAFT	1		
54	43	821926	1 REVERSE GEAR (26 TEETH)	1		
55		42144A	3 BEARING CARRIER	1		
56	25	33145	O-RING	1		3.6
57	23	821927	BUSHING	1		
58	26	99325	OIL SEAL	1		
59	26	821928	OIL SEAL	1		
60	10	824071	10 SCREW	1		
61	10	824071	7 SCREW	2		
62	48	828156A	12 PROPELLER	1	(MANUAL - 9 X 9)	
62	48	828154A	12 PROPELLER	1	(MANUAL - 9 X 8)	
62	48	828148A	12 PROPELLER	1	(ELECTRIC - 9-3/4 X 5-1/2)	
62	48	828152A	12 PROPELLER	1	(8 BODENSEE)	
63	11	13914	PROPELLER NUT	1		
64		821932	1 THRUST HUB	1		
65	23	42091	SPACER	1		
66		822559A	1 REVERSE THRUST CUP	1		
-	26	41365A	3 SEAL KIT	1		
-	27	825847A	95 ENGINE GASKET SET	1		